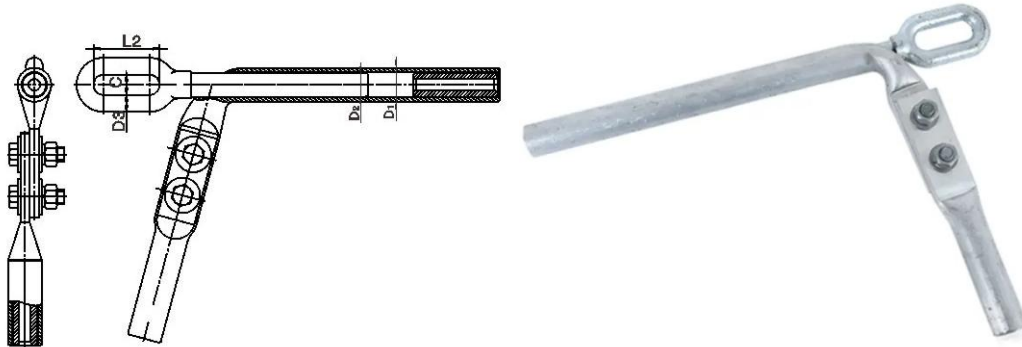


## Overview

hydraulic compression strain clamp is used to fix & connect conductor onto the tension insulator string or the fittings on pole & tower through sustaining tensile force generated by the conductor.

It is made up of high-strength aluminum & steel materials, with clean surface & durable usage period; meanwhile it is easy for installation, free of hysteresis loss, low carbon & energy saving.

### NY-BG Hydraulic Strain Clamp for Aluminum-Clad Steel Stranded Wire



Type	Applicable Conductor		Dimension(mm)					Grip(kN)
	Specifications	Outside Diameter	D1	D2	D3	C	L2	
NY-35BG-20	JLB20A-35	7.8	30	16	16	20	55	38
NY-45BG-20	JLB20A-45	8.7	32	18	16	20	55	53
NY-50BG-20	JLB20A-50	9	32	18	16	20	55	55.6
NY-55BG-20	JLB20A-55	9.6	32	20	16	20	55	64.5
NY-65BG-20	JLB20A-65	10.5	36	22	18	24	70	73
NY-70BG-20	JLB20A-70	11	36	22	18	24	70	77.5
NY-80BG-20	JLB20A-80	11.5	36	24	18	24	70	85
NY-95BG-20	JLB20A-95	12.48	36	24	20	26	78	96
NY-100BG-20	JLB20A-100	13	38	26	20	26	78	116
NY-100BG-40	JLB40-100	13	36	24	18	24	70	58.7
NY-120BG-20	JLB20A-120	14.25	42	30	22	26	78	138.9
NY-120BG-40	JLB40-120	14.25	36	24	18	24	70	71.5
NY-150BG-20	JLB20A-150	15.75	45	32	24	30	80	169.6
NY-150BG-40	JLB40-150	15.75	38	26	18	24	70	86.1

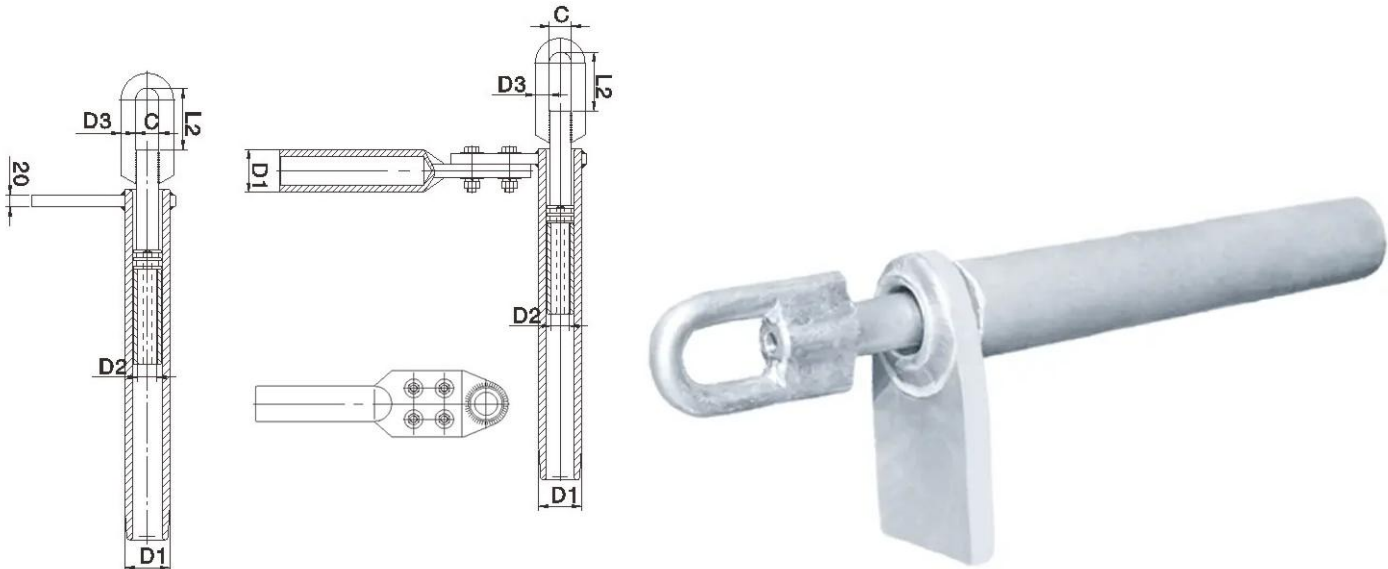
### NZG Terminal Hydraulic Strain Clamp



Type	Applicable Conductor	Dimension (mm)					Holding Strength (kn)	Weight (kg)	
		D1	D2	D3	L2	C			
	NZG-600K	LGKK-600	76	-	20	70	30	107	6.5
	NZG-900K	LGKK-900	70	-	24	85	30	137	5.5
	NZG-1400	LGJQT-1400	76	30	24	70	40	294	6.8

NZG-1440N	NALH5860GJQT-1440	80	34	26	110	41	313	11
The clamp body and liner are made of aluminum, and the steel anchor is made of hot-dip galvanized steel.								

**NYH Hydraulic Compression Strain Clamp for Welding Wire**  
 NYH Hydraulic Strain Clamp Without Drainage Plate:

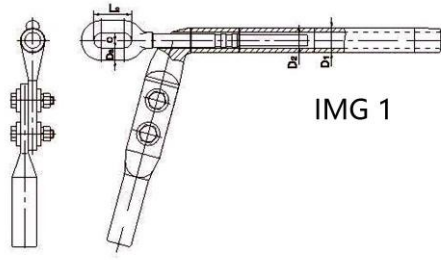


Type	Applicable Conductor	Dimension (mm)					Holding Strength (kn)	Weight (kg)	
		D1	D2	D3	L2	C			
	NYH-600K	LGKK-600	76	-	20	70	30	107	8
	NYH-900K	LGKK-900	74	-	24	85	30	137	6.5
	NYH-1400/80	LGJQT-1400/80	76	30	24	70	40	294	7.3
	NYH-1400/100	LGJQT-1400/100	76	30	24	70	40	107	7.5
	NYH-1400/120	LGJQT-1400/120	76	30	24	70	40	137	7.5
	NYH-1400/135	LGJQT-1400/135	76	30	24	70	40	294	7.5
	NYH-1000/125N	NRLH5860GJ-1000/125	76	32	24	85	42	188	10.5
	NYH-1440/120N	NRLH5860GJ-1000/120N	80	34	26	110	41	313	12.5
	NYH-1440/135N	NRLH5860GJ-1000/135N	80	34	26	110	41	313	12.5

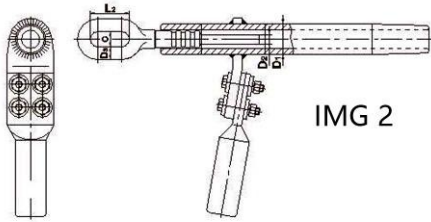
NYH Hydraulic Strain Clamp With Drainage Plate:

Type	Applicable Conductor	Dimension (mm)					Holding Strength (kn)	Weight (kg)	
		D1	D2	D3	L2	C			
	NYH-600/600K	LGKK-600	76	-	20	70	30	107	8
	NYH-900K	LGKK-900/900K	74	-	24	85	30	137	6.5
	NYH-1400/1400/80	LGJQT-1400/80	76	30	24	70	40	294	7.3
	NYH-1400/1400/100	LGJQT-1400/100	76	30	24	70	40	107	7.5
	NYH-1400/1400/120	LGJQT-1400/120	76	30	24	70	40	137	7.5
	NYH-1400/1400/135	LGJQT-1400/135	76	30	24	70	40	294	7.5
	NYH-1000/1000/125N	NRLH5860GJ-1000/125	76	32	24	85	42	188	10.5
	NYH-1400N/1440/120N	NRLH5860GJ-1000/120N	80	34	26	110	41	313	12.5
	NYH-1400N/1440/135N	NRLH5860GJ-1000/135N	80	34	26	110	41	313	12.5

**NY-N Hydraulic Strain Clamp for Heat-Resistant Aluminum Alloy Stranded Wire**



IMG 1

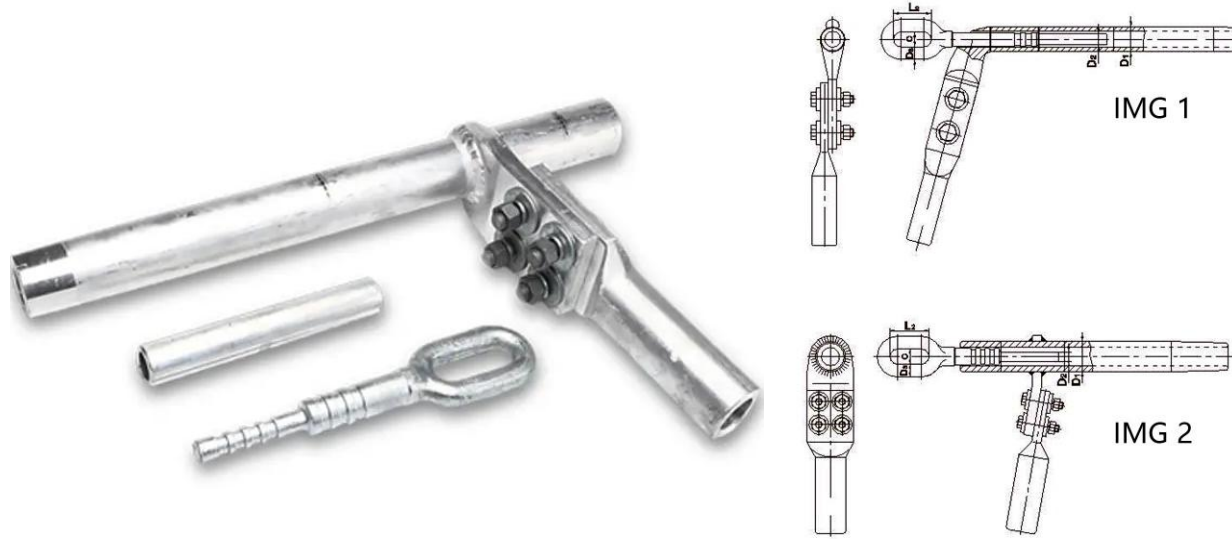


IMG 2

Type	Applicable Conductor	IMG	Main Dimensions(mm)					Grip(≥kN)
			D1	D2	D3	C	L2	
NY-185/25N	NRLH5860GJ-185/25	1	36	14	16	22	65	54
NY-185/30N	NRLH5860GJ-185/30	1	36	16	16	22	65	59
NY-240/30N	NRLH5860GJ-240/30	1	45	18	18	24	70	69
NY-240/40N	NRLH5860GJ-240/40	1	45	18	18	24	70	77
NY-300/25N	NRLH5860GJ-300/25	1	50	14	18	24	70	76
NY-300/40N	NRLH5860GJ-300/40	1	50	16	20	24	70	85.5
NY-300/50N	NRLH5860GJ-300/50	1	50	18	20	24	70	96
NY-400/35N	NRLH5860GJ-400/35	2	55	16	20	26	78	93.6
NY-400/50N	NRLH5860GJ-400/50	2	55	20	22	26	78	112
NY-500/35N	NRLH5860GJ-500/35	2	65	18	22	26	78	109
NY-500/45N	NRLH5860GJ-500/45	2	65	20	22	26	78	117
NY-500/65N	NRLH5860GJ-500/65	2	65	22	22	26	78	140
NY-630/45N	NRLH5860GJ-630/45	2	70	18	22	26	78	133.6
NY-630/80N	NRLH5860GJ-630/80	2	70	24	24	30	80	178
NY-800/55N	NRLH5860GJ-800/55	2	72	20	24	30	80	175

- 1.Strain clamp (heat-resistant aluminum alloy stranded wire, complete forging type, hydraulic type) Model is NY-xxN.1
- 2.The clamp body and the drainage plate are made of aluminum, and the rest are hot-dip galvanized steel.

**NY Hydraulic Aluminum Alloy Strain Clamp**



Type	Applicable Conductor	Dimension(mm)					Grip(kN)	Remark	
		D1	D2	D3	C	L2			
	NY-135/140	JL/LHA1-135/140	48	/	16	22	65	62.5	IMG 1
	NY-135/145	JL/LHA1-135/145	48	/	16	22	65	63.4	
	NY-165/170	JL/LHA1-165/170	50	/	18	24	70	76.2	
	NY-165/175	JL/LHA1-165/175	50	/	18	24	70	77.1	
	NY-210/220	JL/LHA1-210/220	55	/	20	26	78	96.7	
	NY-220/230	JL/LHA1-220/230	58	/	20	26	78	102.3	
	NY-365/165	JL/LHA1-365/165	58	28	20	26	78	105.9	IMG 2
	NY-465/210	JL/LHA1-465/210	60	32	22	26	78	130.2	

**NY-BG Hydraulic Strain Clamp for Aluminum-Clad ACSR**

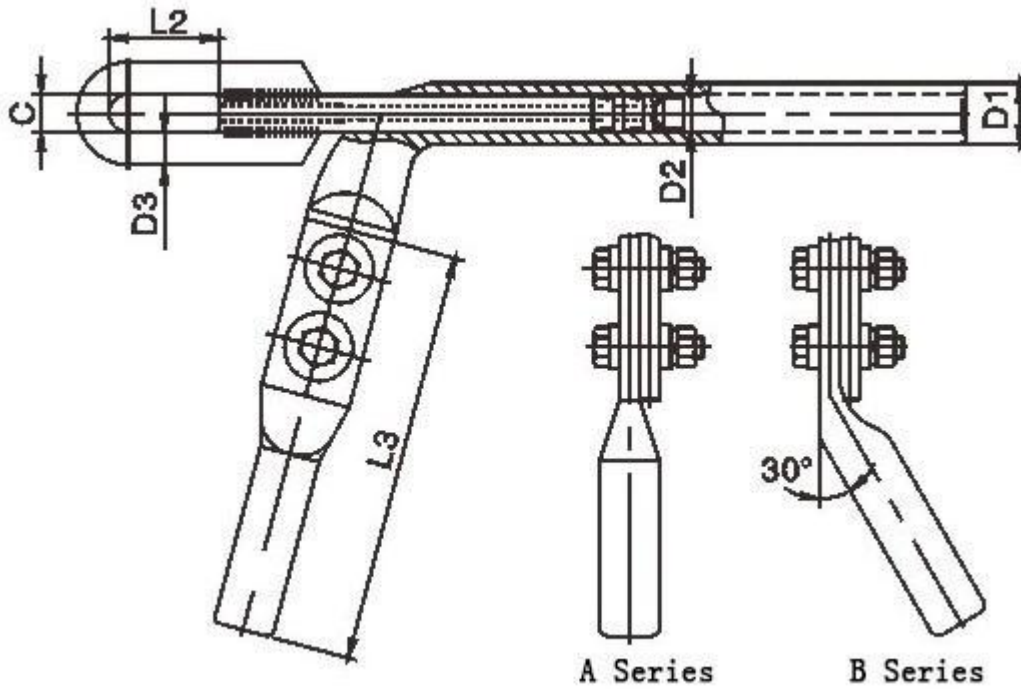


Type	Applicable Conductor	Dimension(mm)					Grip(kN)
		D1	D2	D3	C	L2	
NY-150/25BG.1	JL/LB20A-150/25	32	16	16	22	65	51.5
NY-150/35BG.1	JL/LB20A-150/35	32	16	16	22	65	62
NY-185/25BG.1	JL/LB20A-185/25	36	16	16	22	65	56.5

NY-185/30BG.1	JL/LB20A-185/30	36	16	16	22	65	61.5
NY-240/30BG.1	JL/LB20A-240/30	38	18	18	24	70	72
NY-240/40BG.1	JL/LB20A-240/40	38	18	18	24	70	79
NY-240/55BG.1	JL/LB20A-240/55	38	20	20	26	78	97
NY-300/25BG.1	JL/LB20A-300/25	42	16	18	24	70	79.5
NY-300/40BG.1	JL/LB20A-300/40	42	18	18	24	70	88
NY-300/50BG.1	JL/LB20A-300/50	42	18	18	24	70	98.5
NY-300/70BG.1	JL/LB20A-300/70	45	22	20	26	78	122
NY-400/25BG.1	JL/LB20A-400/25	48	18	18	24	70	91
NY-400/35BG.1	JL/LB20A-400/35	48	18	20	26	78	99
NY-400/50BG.1	JL/LB20A-400/50	48	20	20	26	78	117
NY-400/65BG.1	JL/LB20A-400/65	48	22	22	26	78	128.5

1. The clamp body and the drainage plate are made of aluminum, and the rest are hot-dip galvanized steel.
2. When the steel anchor is welded, the tension clamp (hydraulic type, steel anchor welding) for aluminum clad steel core aluminum stranded wire is model NY-XXBG.

### NB Type Hydraulic Compression Strain Clamp

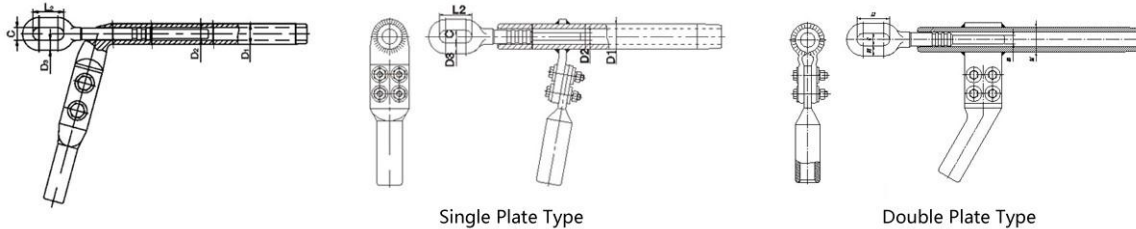


Type	Applicable Conductor	Dimension (mm)					Grip (kN)
		D1	D2	D3	C	L2	
NB-120/20	LGJ-120/20	30	16	16	20	55	39
NB-120/25	LGJ-120/25		16	16	20	55	45.5
NB-150/20	LGJ-150/20		16	16	20	55	44
NB-150/25	LGJ-150/25		18	16	20	55	51.5
NB-150/35	LGJ-150/35		18	16	20	55	62
NB-185/25	LGJ-185/25	32	18	16	20	55	56.5
NB-185/30	LGJ-185/30		18	16	20	55	61.5
NB-185/45	LGJ-185/45	34	20	18	23	55	76.5
NB-240/30	LGJ-240/30	36	20	18	23	55	72
NB-240/40	LGJ-240/40		20	18	23	55	79
NB-240/55	LGJ-240/55		22	20	24	65	97
NB-300/15	LGJ-300/15	40	22	16	23	55	65
NB-300/20	LGJ-300/20		22	18	23	55	72
NB-300/25	LGJ-300/25		22	18	23	55	79.5
NB-300/40	LGJ-300/40		22	20	23	55	88
NB-300/50	LGJ-300/50		24	20	27	65	98.5
NB-300/70	LGJ-300/70	42	24	22	27	70	122
NB-400/20	LGJ-400/20	45	26	18	27	65	84.5
NB-400/25	LGJ-400/25		26	18	27	65	91

NB-400/35	LGJ-400/35	48	26	20	27	70	99
NB-400/50	LGJ-400/50		26	22	27	70	117
NB-400/65	LGJ-400/65		26	22	29	75	128
NB-400/95	LGJ-400/95		28	24	31	83	163

### NY Hydraulic Compression Strain Clamp

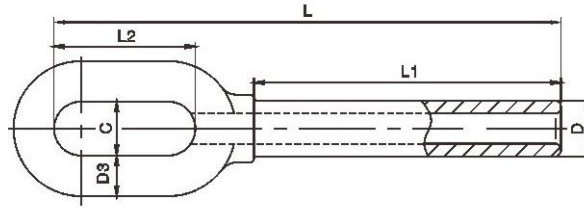
Type	Applicable Conductor	Main Dimensions (mm)					Grip (≥kN)
		D1	D2	D3	C	L2	
NY-95/15.1	LGJ-95/15	26	14	16	20	55	33.5
NY-95/20.1	LGJ-95/20	26	14	16	20	55	35.5
NY-120/20.1	LGJ-120/20	30	14	16	20	55	39
NY-120/25.1	LGJ-120/25	30	14	16	20	55	45.5
NY-150/20.1	LGJ-150/20	30	14	16	22	65	44
NY-150/25.1	LGJ-150/25		14	16	22	65	51.5
NY-150/35.1	LGJ-150/35		16	16	22	65	62
NY-185/25.1	LGJ-185/25	32	14	16	22	65	56.5
NY-185/30.1	LGJ-185/30		14	16	22	65	61.5
NY-185/45.1	LGJ-185/45	34	18	18	24	70	76.5
NY-240/30.1	LGJ-240/30	36	16	18	24	70	72
NY-240/40.1	LGJ-240/40		16	18	24	70	79
NY-240/55.1	LGJ-240/55	36	20	20	26	78	97
NY-300/15.1	LGJ-300/15	40	14	16	22	65	65
NY-300/20.1	LGJ-300/20		14	18	24	70	72
NY-300/25.1	LGJ-300/25		14	18	24	70	79.5
NY-300/40.1	LGJ-300/40	40	16	18	24	70	88
NY-300/50.1	LGJ-300/50		18	18	24	70	98.5
NY-300/70.1	LGJ-300/70	42	22	20	26	78	122
NY-400/20.1	LGJ-400/20	45	14	18	24	70	84.5
NY-400/25.1	LGJ-400/25		14	18	24	70	91
NY-400/35.1	LGJ-400/35		16	20	26	78	99
NY-400/50.1	LGJ-400/50		20	20	26	78	117
NY-400/65.1	LGJ-400/65	48	22	22	26	78	128.5
NY-400/95.1	LGJ-400/95		26	24	30	80	163



Type	Applicable Conductor	Main Dimensions(mm)					Grip(≥kN)
		D1	D2	D3	C	L2	
NY-500/35.1	LGJ-500/35	52	16	22	26	78	114
NY-500/45.1	LGJ-500/45		18	22	26	78	122
NY-500/65.1	LGJ-500/65		22	22	26	78	146.5
NY-630/45.1	LGJ-630/45	60	18	22	26	78	141.5
NY-630/55.1	LGJ-630/55		20	24	30	80	156.5
NY-630/80.1	LGJ-630/80		24	24	30	80	183.5
NY-720/50.1	LGJ-720/50	60	20	24	30	80	163
NY-720/65.1	LGJ-720/65		22	24	30	80	176
NY-800/55.1	LGJ-800/55	65	20	24	30	80	183
NY-800/70.1	LGJ-800/70		22	26	34	90	197
NY-800/100.1	LGJ-800/100		26	26	34	90	229

### NY-G Hydraulic Steel Anchor Forging Strain Clamp for Steel Stranded Wire





Type	Twisted Pair		Main Dimensions(mm)						Grip(≥kN)	Weight(kg)
	Standard	Mark	D	L	L1	D3	C	L2		
NY-35G.1	GB1200-88 1270N/mm <sup>2</sup>	7-7.8	16	195	115	16	20	50	45	0.52
NY-55G.1		7-9.6	20	220	140	16	20	50	70	0.7
NY-80G.1		19-11.5	24	260	170	18	22	55	100	1.3
NY-50G.1	GB1200-75 1225N/mm <sup>2</sup>	7-9.0	18	210	130	16	20	50	60	0.63
NY-70G.1		19-11.0	22	245	155	18	22	55	80	1.02
NY-100G.1		19-13.0	26	290	185	20	24	65	120	1.63
NY-120G.1		19-14.0	28	310	195	22	26	70	140	1.9
NY-135G.1		19-15.0	30	330	215	22	26	70	155	2.3
NY-100GC.1	GB1200-88 1370N/mm <sup>2</sup>	19-13.0	28	335	220	22	26	70	130	1.64
NY-125GC.1		19-14.5	32	360	250	24	30	80	165	1.7